

# COB 3/4 C

## COBALT Tap Range Cobalt Bath Taps Chrome



### Features:

- Metal Backnuts
- Ceramic Disc
- 3/4" Valve

### Product Certifications:

WRAS Certificate No: 1501953  
WRAS Expiry Date: 31/01/2020



For more products, visit our website:



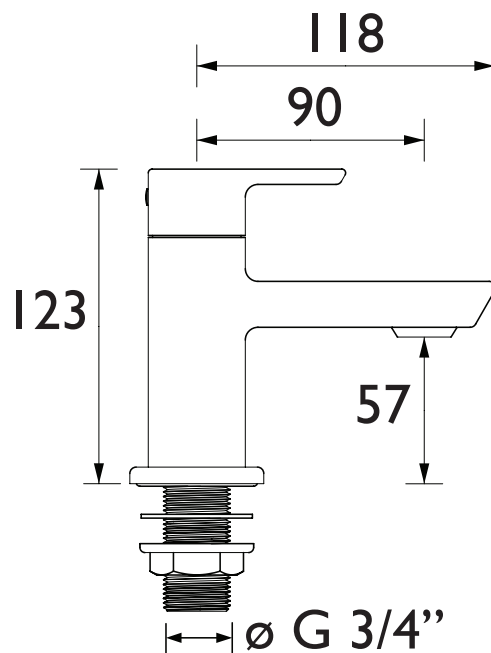
TECHNICAL  
DATA  
SHEET



### Specification

Style:	Contemporary
Product Type:	Bathroom Taps
Finish/Colour:	Chrome
Main Construction Material:	Brass
Mount Type:	Deck
Handle Type:	Lever
Connection Inlet:	3/4" BSP
Number of Tap Holes Required:	2
Valve/Cartridge Type:	3/4" Ceramic Disc Valves
Plumbing System Suitability	All
Working Pressure Range:	Min 0.2 Bar, Max 5.0 Bar
Maximum Hot Water Temperature: °c	65
Maximum Dynamic Pressure: (bar)	5
Maximum Static Pressure: (bar)	10
Flow Type:	Single Flow
Flow Rate: (l/min @ 3 bar)	63
Connection Outlet:	
Isolation Included:	No

### Dimensions (measurements in mm)



### Flow Rates (l/min)

System Pressure (bar)	0.2	0.5	1	2	3	5
COB 3/4 C (Hot)	18.9	29.2	41.9	51.4	63	81.3
COB 3/4 C (Cold)	18.5	28.1	40	50.2	61.5	79.4

**BRISTAN**  
TAPS & SHOWERS

D2